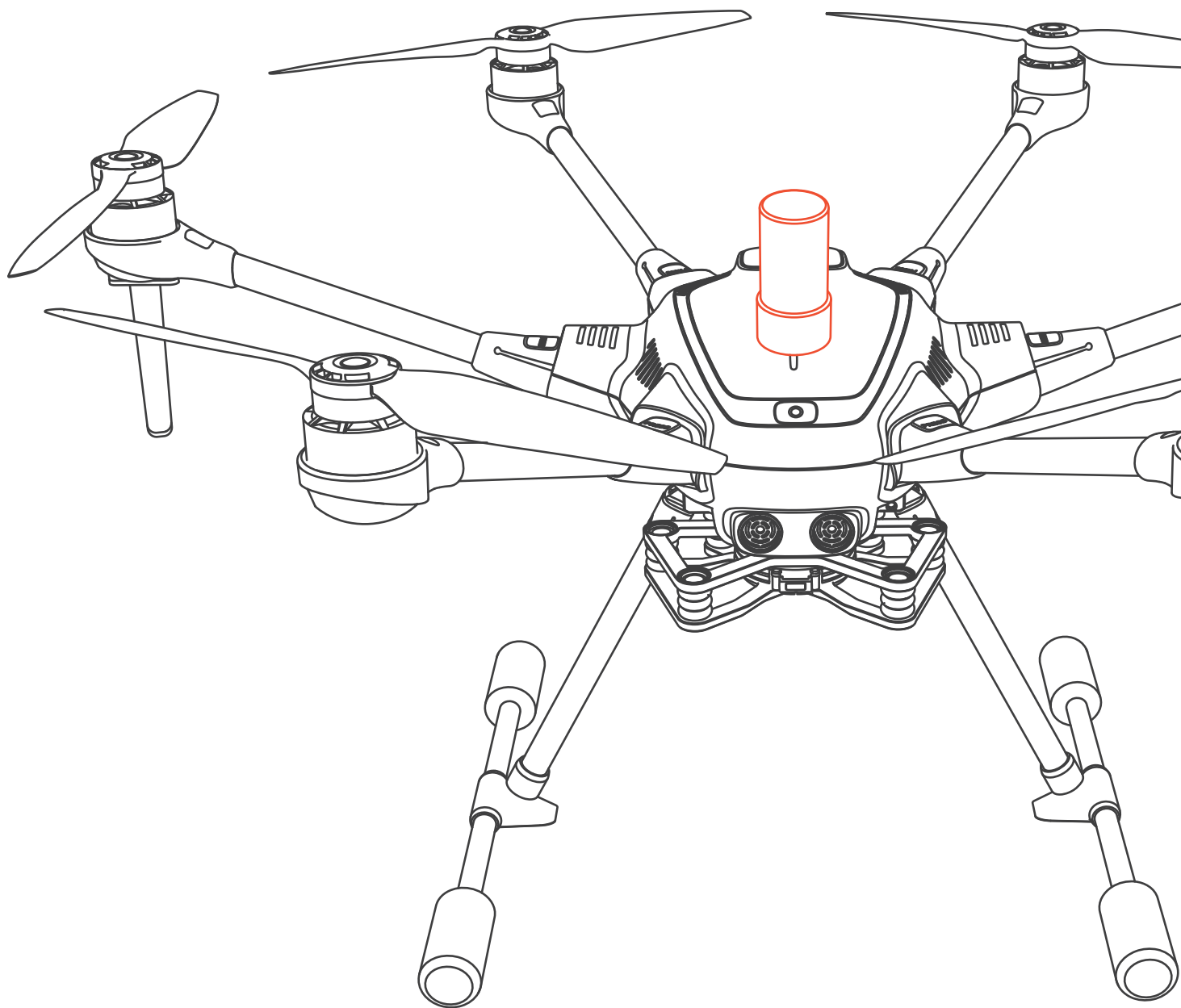


YUNEEK



H520E

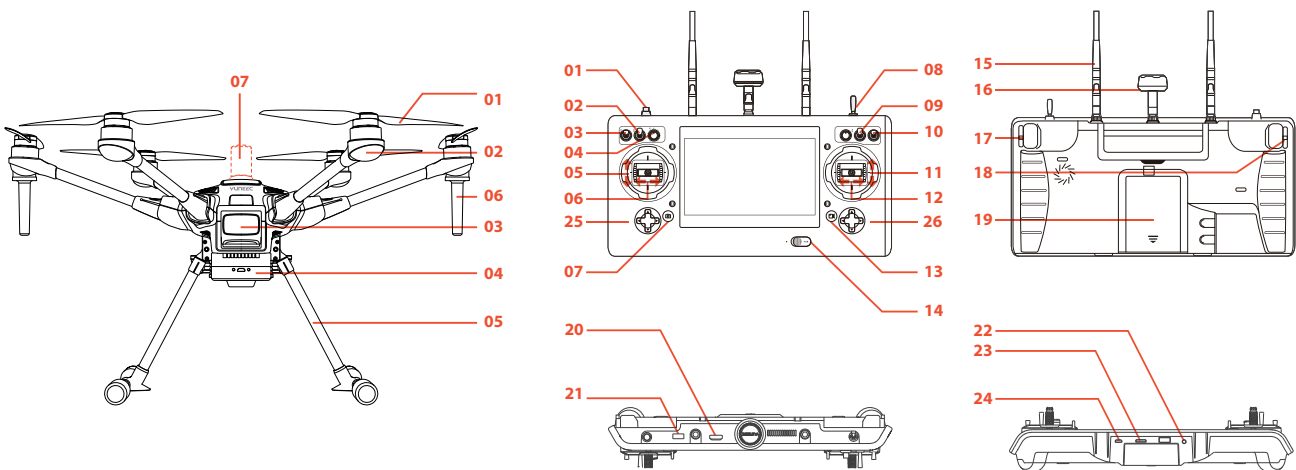
H520E RTK USER MANUAL V1.0

catalogue

Product Overview	4
H520E/H520E-RTK	4
ST16E	4
Assembly	5
Charge the battery	5
Charge the flight battery	5
Charge the ST16E battery	5
Drone Assembly	6
Assembling the arms	6
Install the Propellers	6
Install the RTK Antenna (H520E-RTK Only)	6
Install the Flight Battery	6
ST16E Ground Station	7
Data Pilot App User Interface Overview	7
Common Setting functions for ST16E Ground Station	8
RC Monitor	8
RC Calibration	8
RC Mode Selection	8
Payloads	9
Assembly and disassembly the X Connector Series Gimbals	9
Visible Light Camera	10
E90x	10
Thermal Imaging Camera	10
ETx/E10Tx/E10Txv	10
Variable-focus Camera	10
E30Zx	10
Other Payloads	11
SD Card Selection	11
Pre-Flight Preparation	11
Environment Requirement	12
Power On/OFF	12
OFDM Module Re-bind	12
Compass Calibration	13
RTK Data Binding (H520E-RTK Only)	14
CORS Network Binding	14
GPS Base Station Binding	15
Take Off	15
Manual Take Off	15
One Key Take Off	15
Retract Landing Gears	15

Control the Drone	15
Normal Flight Control	15
Manual Mode	16
Angle Mode	16
RTL Mode	16
Indoor Mode	16
Gimbal Control	17
Gimbal Camera Tilt Control	17
Gimbal Camera Pan Control	17
Land	17
Mission Flight Mode	18
Waypoint	18
Pattern	19
Survey Mode	19
Corridor Scans	19
Structure Scans	20
Upload/ Save the Flight Mission	21
Execute the Flight Mission	21
Attachment	22
Specifications	22
LED Status Indication	23
Disclaimer and Statement	24
Yuneec Support	28

Product Overview



H520E / H520E-RTK

- 01** Propeller
- 02** LED Status Indicator
- 03** Battery Chamber
- 04** OFDM Module
- 05** Retractable Lander Gear
- 06** OFDM Antennas
- 07** RTK Antenna(H520E-RTK Only)

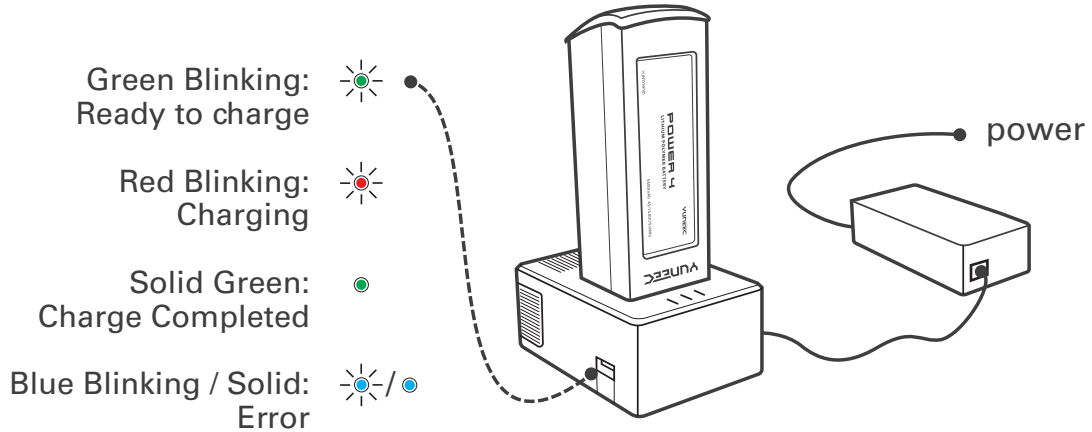
ST16E

- 01** Start/Stop Motors Button
- 02** Gimbal Pan Mode Switch
(Follow Mode/ Follow Pan Controllable Mode/
Global Mode)
- 03** Gimbal Tilt Mode Switch
(Angle Mode/Velocity Mode)
- 04** Gimbal Pan Control Knob
- 05** Throttle/ Altitude Control (Mode 2)
Elevator/pitch control (Mode 1)
- 06** Rudder/Yaw Control
(Mode 2 and Mode 1)
- 07** Take Still Photo Button
- 08** Landing Gear Switch
- 09** Obstacle Avoidance Switch
- 10** Flight Mode Selection Switch
- 11** Elevator/ Pitch Control (Mode2)
Throttle/Altitude Control (Mode 1)
- 12** Aileron/Roll Control
(Mode 2 and Mode 1)
- 13** Start/Stop Video Recording Button
- 14** Power Switch
- 15** 2.4GHz Antenna
- 16** 5GHz Antenna
- 17** Proportional Control Rate Slider
- 18** Gimbal Tilt Control Slider
- 19** Battery
- 20** HDMI
- 21** USB Port
- 22** Headset Port
- 23** Micro SD Slot
- 24** Micro USB Port
- 25** Left Trim(Up/Down EV)
(Left/Right Wight Balance)
- 26** Right Trim(Up/Down Zoom)

Charge the Batteries

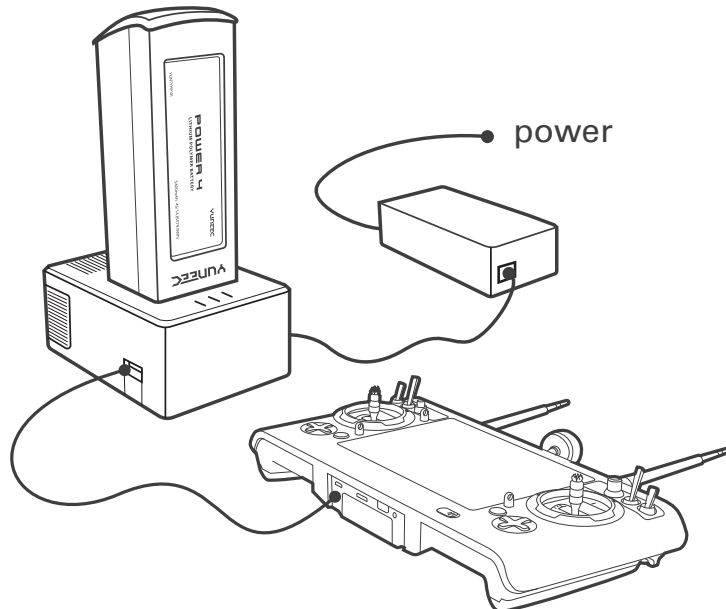
Charge the flight battery

Power the SC4000-4E charger from a 100-240V AC outlet using the AC adapter/power supply, or from a 12V-17.4V DC accessory socket/cigarette lighter receptacle in a vehicle using the included adapter. Plug the aircraft battery into the charger port as illustrated.



NOTICE: The batteries are a consumable material and that they have to be replaced after they show weakness.

NOTICE: Voltage for a long time storage shall be 14.4V~15.6V range. Full charged storage is prohibited



Charge the ST16E battery

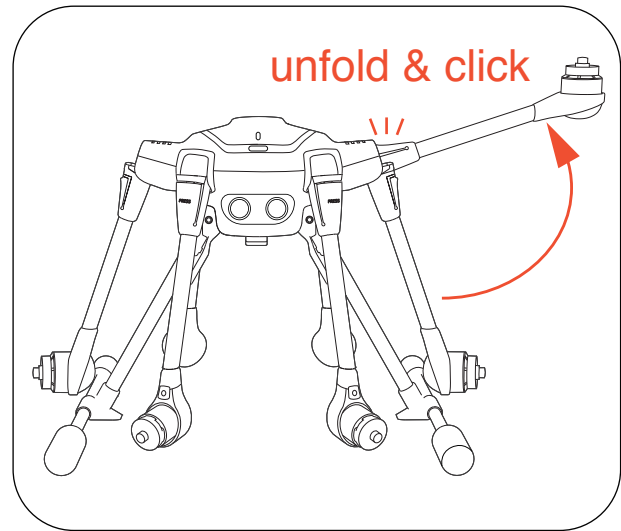
Charge the ST16E battery by using supplied USB cable and inserting it into the USB port on the charger. It will take approximately five hours to charge a fully discharged battery.

NOTICE: To check the charge status of the ST16E, simply tap the screen twice.

Assembly

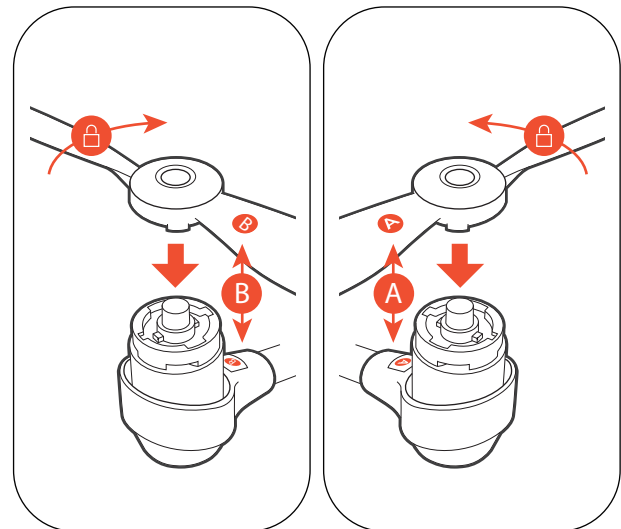
Assembling the arms

Unfold the motor arms and secure them until hearing a 'click'.



Install the Propellers

Mount propeller 'A' on motor 'A' and propeller 'B' on motor 'B'. Press and rotate propellers in the direction the [🔒] points to until the propellers locked. Cross-check to be sure propellers are properly locked in place.

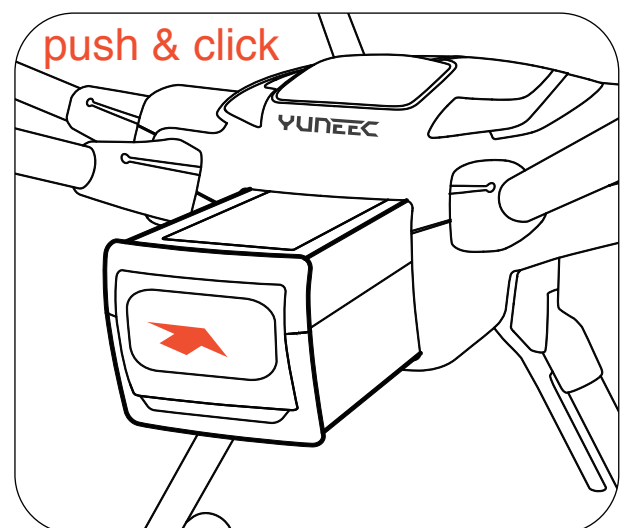


Install the RTK Antenna (H520E-RTK only)

Screw the Antenna onto the upper cover of the drone. Ensure the Antenna has been secured before takeoff.

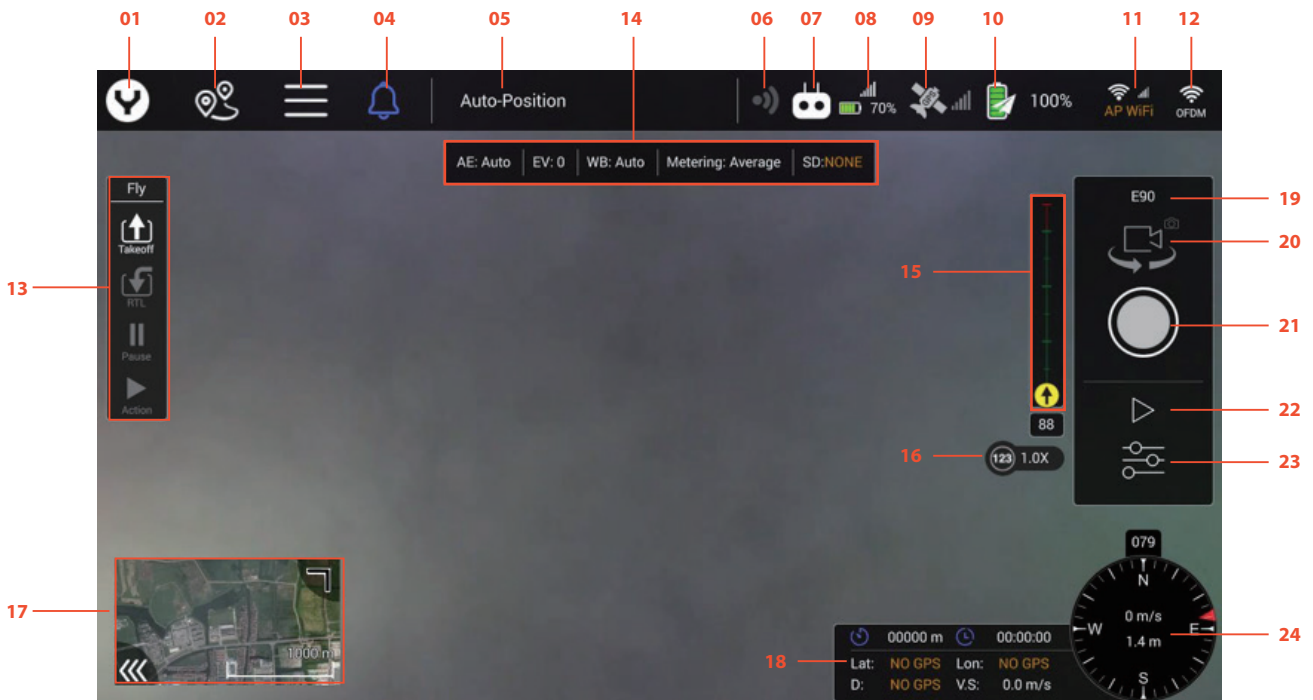
Install the Flight Battery

Push the battery into the battery compartment until hearing a 'click'.



Ground Station

App User Interface Over view



- 01 Main Interface button
- 02 Mission Route Setting
- 03 System Setting button
- 04 Warning Message button
- 05 Flight Mode Indicator
- 06 Obstacle Avoidance Indicator
- 07 Controller Mark
- 08 ST16E Battery & RSSI
- 09 Drone GPS indicator
- 10 Drone Battery indicator
- 11 Wi-Fi Setting button
- 12 OFDM Setting button

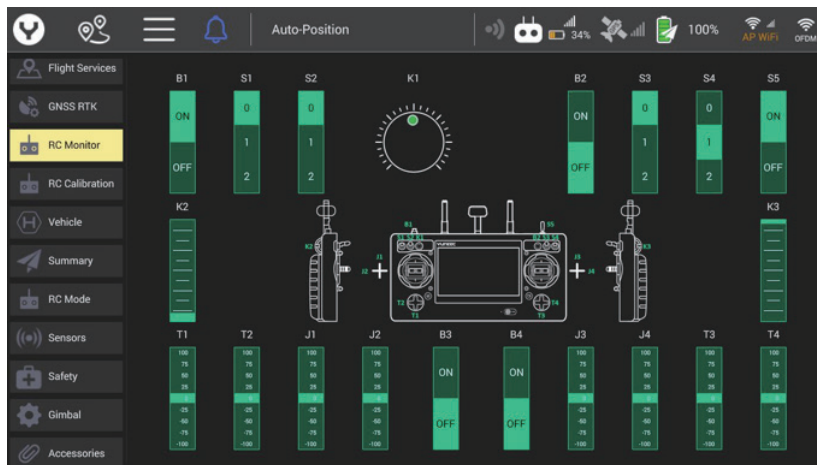
- 13 Flight quick control panel
- 14 Camera quick setting Panel
- 15 Gimbal attitude indicator
- 16 zoom indicator
- 17 Map /Video Switch
- 18 Flight Parameter Display
- 19 Camera Type
- 20 Photo/Video Mode Switch
- 21 Shutter/Record button
- 22 Gallery
- 23 Camera Setting Button
- 24 Compass

Common Setting functions for Ground Station

RC Monitor

Tap the System setting button then Select the RC Monitor Item.

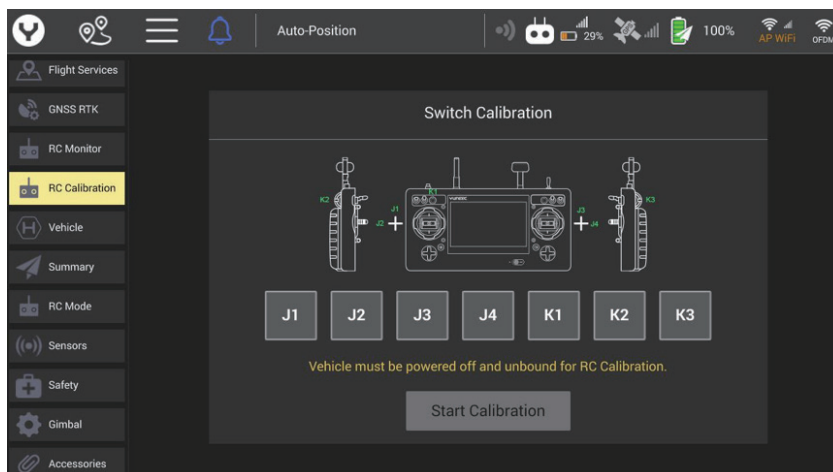
Move the Joysticks, Knobs, and Sliders or press the buttons to check the controller hardware input.



RC Calibration

Tap the System setting button then Select the RC Calibration Item.

Then tap the Start Calibration button



RC Mode

Tap the System setting button then Select the RC Mode Item.

Select the Joysticks mode as your wish

